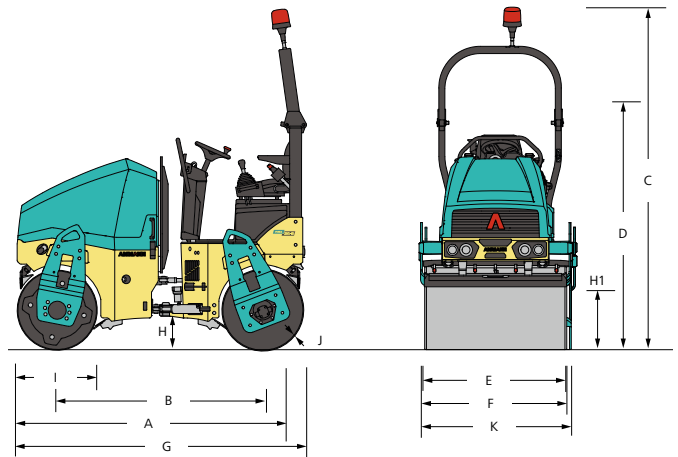


TECHNICAL SPECIFICATIONS
ARX 26-2 TANDEM ROLLER
EU Stage V / U.S. EPA Tier 4 final

DIMENSIONS

A	MACHINE LENGTH	2500 mm (98.4 in)
B	WHEELBASE	1740 mm (68.5 in)
C	MACHINE HEIGHT	2550 mm (100.4 in)
D	MACHINE HEIGHT (FOLDED ROPS)	1935 mm (76.2 in)
E	DRUM WIDTH	1200 mm (47.2 in)
F	WORKING WIDTH WITH OFFSET	1240 mm (48.8 in)
G	MACHINE LENGTH (FOLDED ROPS)	2585 mm (101.8 in)
H	GROUND CLEARANCE	280 mm (11 in)
H1	SIDE CLEARANCE	490 mm (19.3 in)
I	DRUM DIAMETER	695 mm (27.4 in)
J	DRUM SHELL THICKNESS	13 mm (0.5 in)
K	MACHINE WIDTH (TOTAL)	1350 mm (53.1 in)



WEIGHT AND OPERATING CHARACTERISTICS

OPERATING WEIGHT	2515 kg (5540 lb)
OPERATING WEIGHT MAX.	2710 kg (5975 lb)
STAT. LIN. LOAD OF FRONT DRUM	10.3 kg/cm (22.7 lb/in)
STAT. LIN. LOAD OF REAR DRUM	11 kg/cm (24.3 lb/in)
TURNING RADIUS INSIDE	2540 mm (100 in)
STEERING / OSCILLATING ANGLE	30/6.5 ±°
DRUM OFFSET	40 mm (1.57 in)

ENGINE

ENGINE TYPE	Kubota D1803-CR
EMMISSION CLASS	EU Stage V / U.S. EPA Tier 4 Final
POWER OUTPUT ISO 3046	25 kW (33.5 HP)
CYLINDER / LTR.	3 cyl / 1826 cm ³
NOMINAL SPEED	2100 / 2400 rpm
TRAVEL SPEED	11 km/h (6.8 MPH)
GRADEABILITY WITH / WITHOUT VIBR.	30% / 35%

STANDARD

- Front and rear vibration & drive
- Pressurised pulse interval sprinkler system
- 2 working frequencies
- Control system with emergency stop
- Ammann Vibration Control
- Lateral sliding seat
- Hydraulic test ports
- Off-set into in-line drum setting
- Battery disconnection switch
- On-board diagnostics
- Front/rear rubber bumpers

COMPACTION FORCES

AMPLITUDE I	0.5 mm (0.02 in)
AMPLITUDE II	0.5 mm (0.02 in)
FREQUENCY I	58 Hz (3480 vpm)
FREQUENCY II	66 Hz (3960 vpm)
CENTRIFUGAL FORCE I	38.8 kN (8722 lbf)
CENTRIFUGAL FORCE II	46.5 kN (10 454 lbf)

MISCELLANEOUS

BATTERY / CAPACITY	12/77 V/Ah
WATER TANK	190 l (50.2 gal)
HYDRAULIC TANK	28.5 l (7.5 gal)
DIESEL FUEL TANK	35 l (9.2 gal)

OPTIONAL EQUIPMENT

- CE-kit with folding ROPS and working lights
- Road lights
- Infrared thermometer
- ACE^{force}
- ATC - Ammann Traction Control
- Reverse alarm
- Additional working lights (ROPS mounted)
- Warning beacon
- Second drive-lever, left
- Arm rests
- Edge-cutter inc. Multi-function lever
- Scrapers tiltable
- Bio-degradable hydraulic oil
- Central lifting point
- Customer color
- Weather canopy
- Servicelink