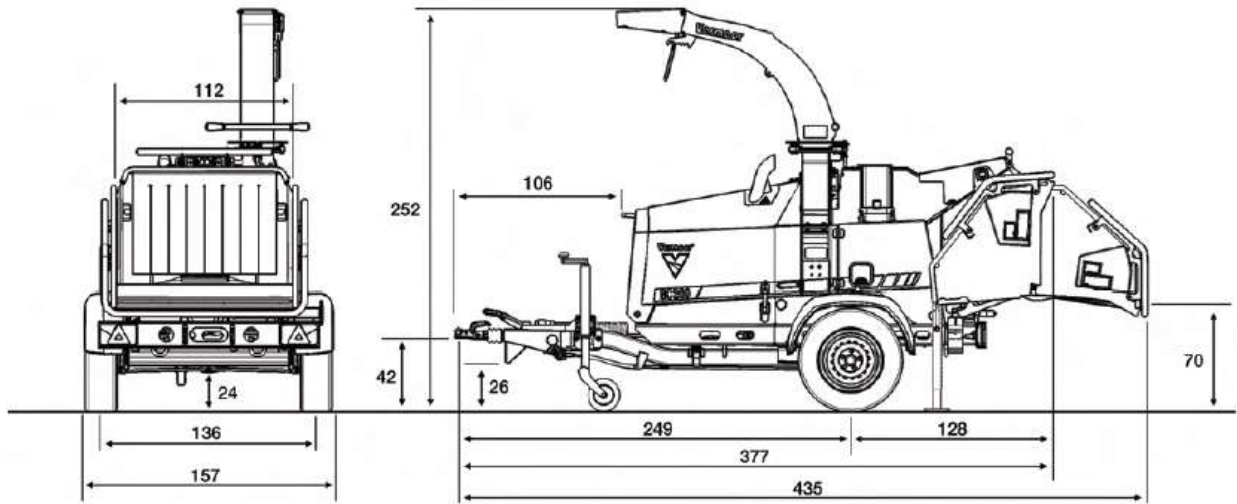




BC200 BRUSH CHIPPER



SPECIFICATION	BC200 BRUSH CHIPPER
GENERAL DIMENSIONS AND WEIGHTS	
Length — feed table up, tongue in	377 cm (148,4 in)
Length — table down, tongue extended	435 cm (171,3 in)
Max width (operation)	157 cm (61,8 in)
Max height (operation)	251 cm (99 in)
Weight	1.465 kg (3.230 lb)
Tongue weight	80 kg (170 lb)
ENGINE	
Make and model	Kubota WG1605
Max gross horsepower	57 hp (42,5 kW)
Fuel tank capacity	39,5 L (10,5 gal)
Max fuel consumption	7 L/hr (1,8 gph)
Fuel type	Unleaded gasoline 95 octane max 10% methanol
Max angle of continuous operation	30°
Clutch type	Direct drive

SPECIFICATION	BC200 BRUSH CHIPPER
FEED SYSTEM	
Infeed roller dimension (1)	40 cm (15,8 in)
Infeed roller dimension (2)	26 cm (10,2 in)
Roller clamp force	396 kg (873 lb) spring loaded
Infeed opening	20,3 cm x 30,5 cm (8 in x 12 in)
Infeed table width	114 cm (44,9 in)
Infeed table length	70 cm (27,6 in)
Infeed hopper height	79 cm (31,1 in)
HYDRAULIC SYSTEM	
Tank capacity	22,7 L (6 gal)
Biodegradable oil	Optional
OTHER OPTIONS	
Special paint	All RAL colors available